

The Ayr-Filter™ is an activated carbon filter that eliminates offensive odors from building vents and septic systems. The filter is easy to install and requires no special tools, permits, or certifications.

Ayr-Filter™ Installation Instructions



1. Install filter in upright position.
2. Use with approved coupling or adapter.
3. Install in accessible external location.
4. Pull on the edge of the cap to remove it from the base.
5. Remove filter cartridge from the bag and install in the filter base black side up.
6. Replace filter cartridge a minimum of every 2-years. In high odor applications the filter should be changed more frequently or whenever odor is evident.
7. Mark the installation date with permanent ink on the label provided. Affix label to the cap.

Materials:

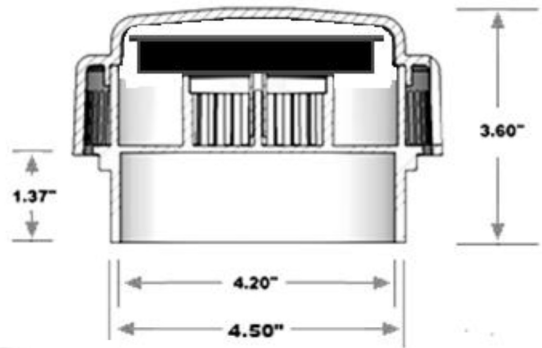
- UV Resistant PVC Housing
- Activated Carbon Filter Cartridge

Features:

- Installs easily on existing pipes
- No special tools required
- No special permits required
- No special certifications required
- Filter cartridge lasts up to 2-yrs

Where to use:

- Septic systems
- Open vents - existing or new builds
- External installations only



Replacement Cartridge

