

# Ayrlett®

## Fire Rated Boxes



Small-In-One

Ice Maker Box



Twin Box

### Material:

- Fire Rated PVC

### Listings & Approvals:

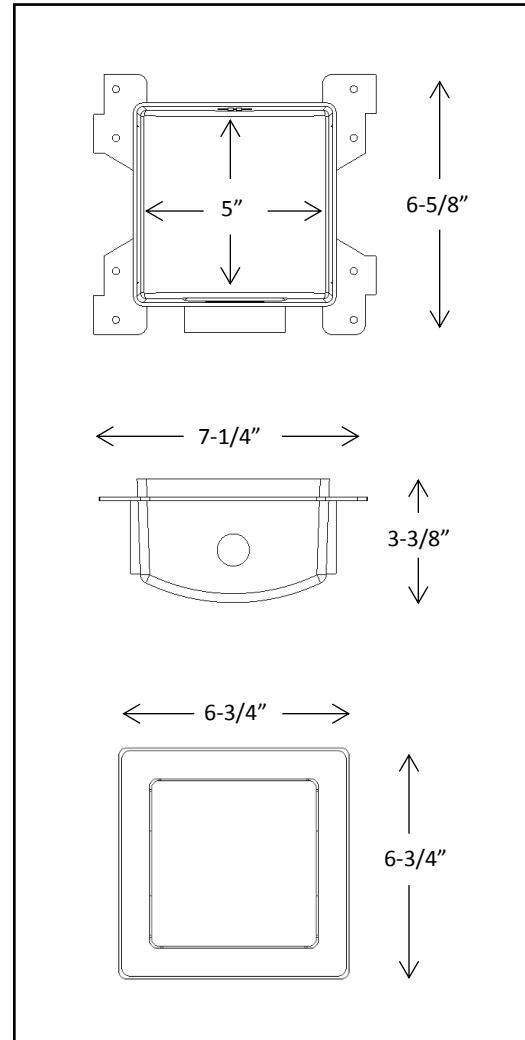
- ICC Listed
- ASTM E-814
- CAN/ULC S-115
- ASSE A112.18.1
- CSA B125.1-2012
- 1 Hour Wall                      2 Hour Wall
- F-1 HR                              F- 2 HR
- T-32 min                            T- 65 min

### Options:

- Available with or without water hammer arresters.
- Top mount with 2" drain
- Self-aligning Twin Box with 2" drain
- Ice Maker Box

### Installation Instructions:

- Use nails or screws to attach box to stud
- Connect valves to supply lines
- Solvent cement the drainpipe to box drain
- Knock out drain cover after test
- Use plumbers tape & clip to add support
- On 2 Hour wall, screw frame into wall
- Do not install boxes back to back
- Certified for metal and wood studs
- Store in cool dry place



### Connection Type:

- Threaded MIP
- CPVC
- F1960 PEX Connection
- PEX Connection



Patent(s) Pending

# Ayrlett®

www.ayrlett.com  
sales@ayrlett.com

Phone: 877.99.ayrlett  
Fax: 208.465.6786

PO Box 3191  
Nampa, ID 83653