

Ayrlett®

Multi-Pro™ Wash Box

Made in the USA!
Model: USA-No Lead

FDA/NSF Approved Materials:

- Acetal Valve and Water Hammer Arrester
- FDA approved silicone; Buna N O-Rings
- Approved Low Lead Brass (On Metal Valves)

Listings:

- NSF/ANSI 61
- ICC listed box
- IAPMO listed stop valves
- IAPMO listed water hammer arresters
- Meets all low lead requirements
- ASME A112.18.1

Options:

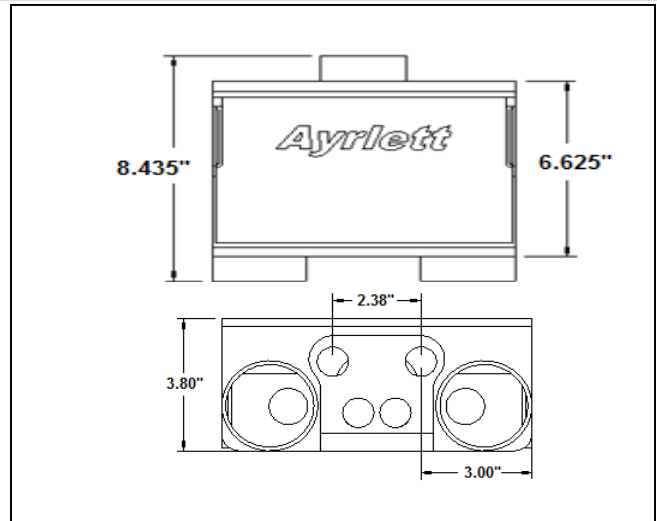
- Available with or without water hammer arresters.
- Available in Brass or Poly Valves

Connection Type:

- CPVC
- F1960
- PEX
- MIP

ADD "PCD" to the end of the part number for Pre-Installed Center Drain.

ADD "PDD" to the end of the part number for Pre-Installed Dual Drain.



Poly RB #	Poly BR #	Brass #	Type	
RB081	2081	7081	CPVC	
RB082	2082	7082	F1960	
RB083	2083	7083	PEX	
RB084	2084	7084	MIP	
RB281	2281	7581	CPVC	Arresters
RB282	2282	7582	F1960	Arresters
RB283	2283	7583	PEX	Arresters
RB284	2284	7584	MIP	Arresters



Patent(s) Pending

1424 First Street South Phone: 208-442-9053
Nampa, ID 83651 Fax: 208-465-6786

Web: www.ayrlett.com
Email: sales@ayrlett.com