

Ayrlett®

A4-MAX™ 500 DFU AIR ADMITTANCE VALVE SPECIFICATIONS

Air admittance valves (AAVs) are one way valves that allow air in, to vent or equalize pressure in waste pipes, without allowing gases, odors, or liquid out. Our AAVs have been tested by an independent U.S. lab 500,000 cycles, in temperatures ranging from -40° to +150°F, without a single failure.



Recommended Installation Instructions

Note: Check local plumbing codes prior to installation.

1. Install AAV in upright position, not to exceed 15° from plumb, on a pipe 6" in size or less.
2. Use with approved coupling or adapter.
3. Install AAV in ventilated area that allows for inspection and unrestricted air flow.
4. A. Single Fixture and Branch Venting:
Install at least 4" above the weir of the fixture trap.
B. Stack Venting:
Install at least 6" above the flood level of the highest fixture.
5. A minimum of one vent per building must extend to open atmosphere for every building drainage system.

Material:

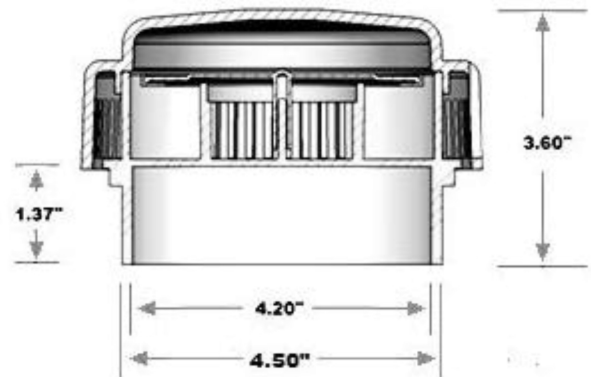
- PVC

Standards:

- ASSE 1050 (revised 2002)
- 1051 A & B (revised 2002)
- Components meet NSF14 Requirements

Features:

- Rated 500 DFUs
- 100% functionally tested
- Lifetime Warranty



Horizontal Branch Size	Max DFUs
3"	20
4"	160
Stack Size	Max DFUs
3"	72
4"	500

Patent No. 7,445,022
Patent Pending



1050,
1051 A & B



Ayrlett®

www.ayrlett.com
sales@ayrlett.com

Phone: 208.442.9053
Fax: 208.465.6786

PO Box 3191
Nampa, ID 83653